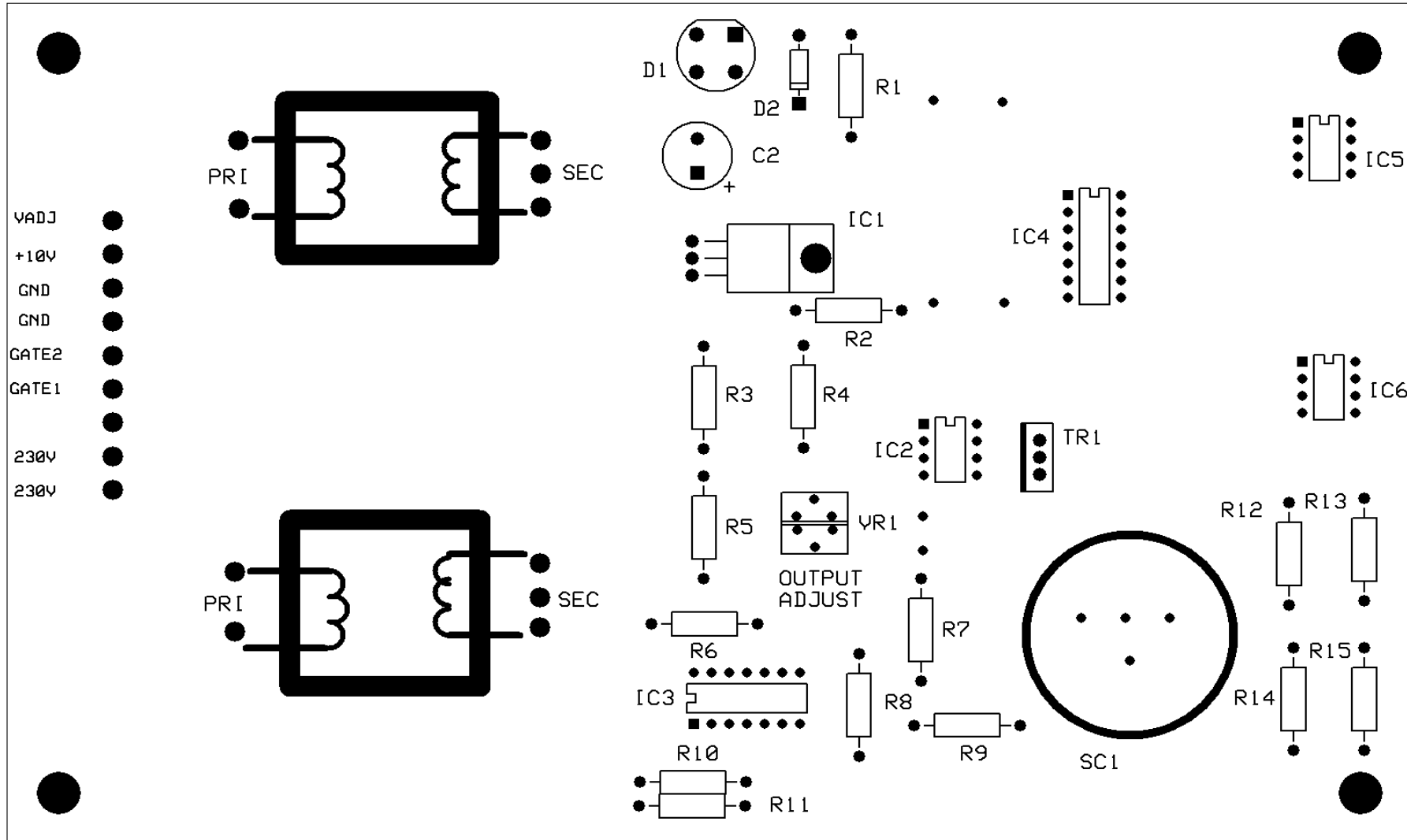


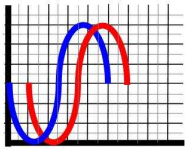
Summit  
Systems  
Limited

# REGMASTER Output Controller P/N 500132

Designed & developed by Summit Systems Ltd.

## TRANSFORMER RECTIFIER OUTPUT CONTROL BOARD PRINTED CIRCUIT BOARD (PCB)





Summit  
Systems  
Limited

# REGMASTER Output Controller P/N 500132

Designed & developed by Summit Systems Ltd.

